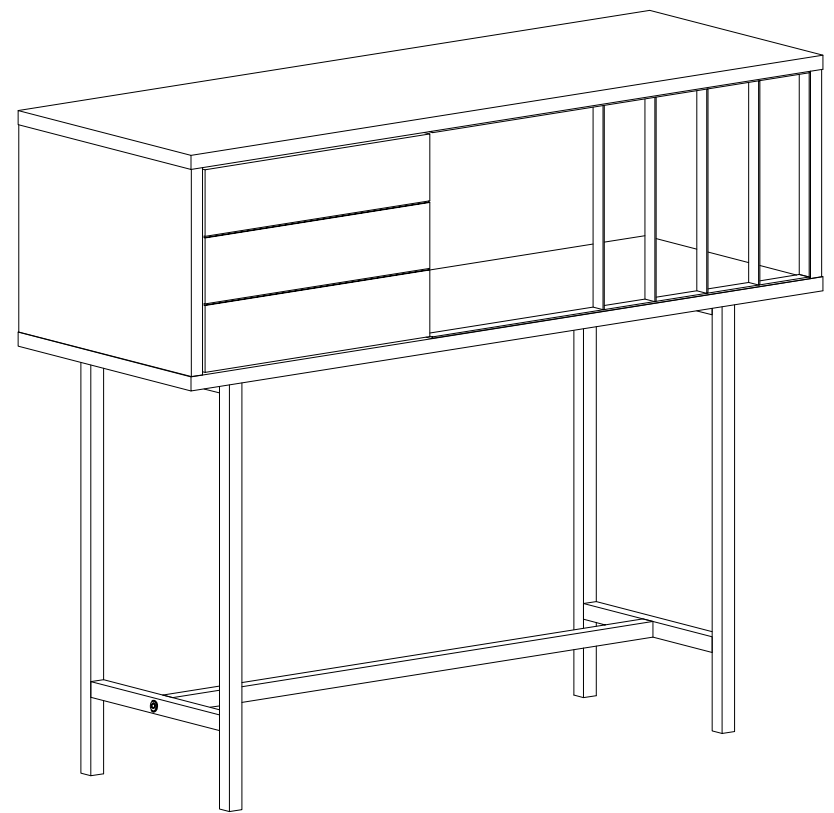
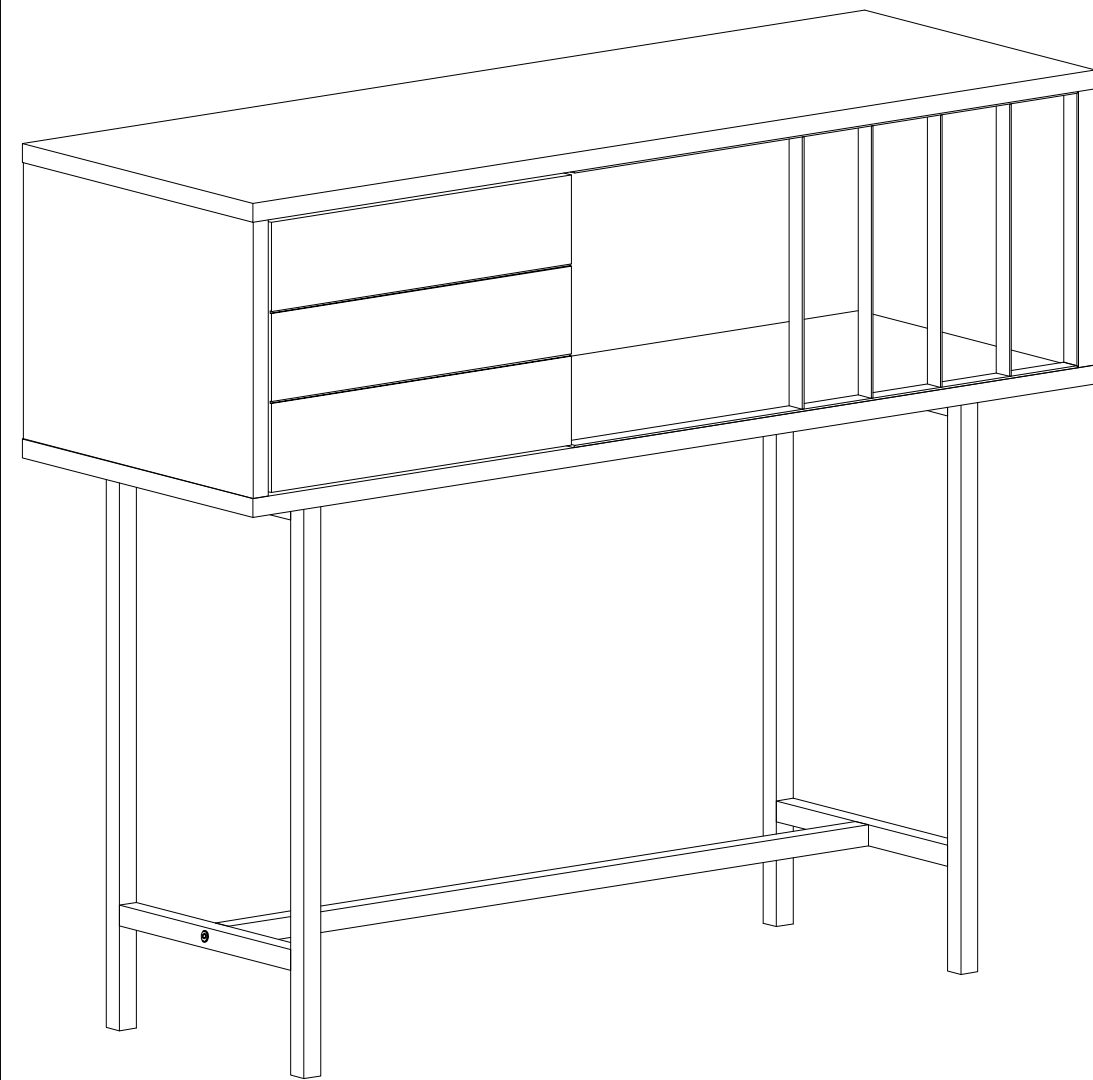
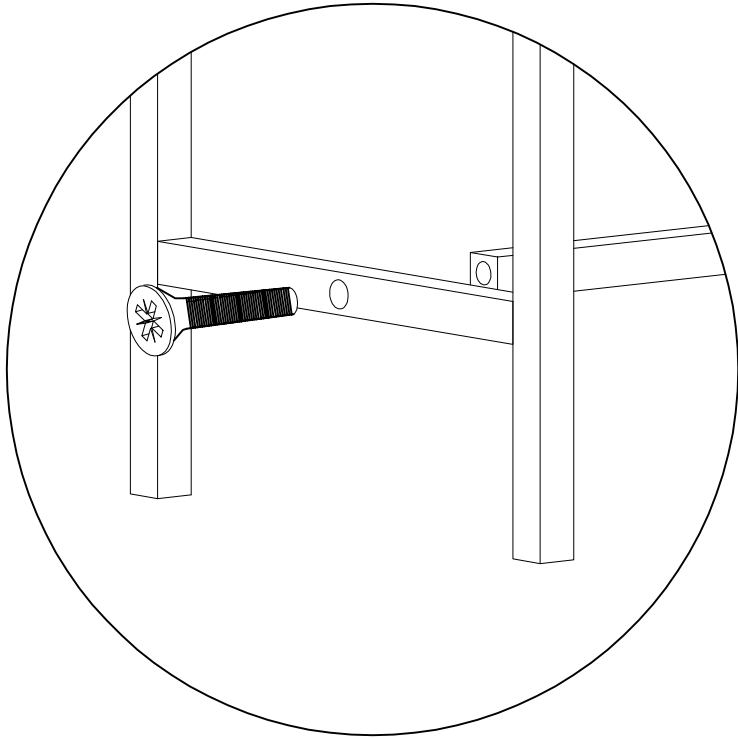
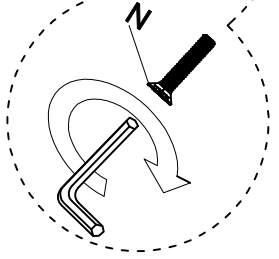
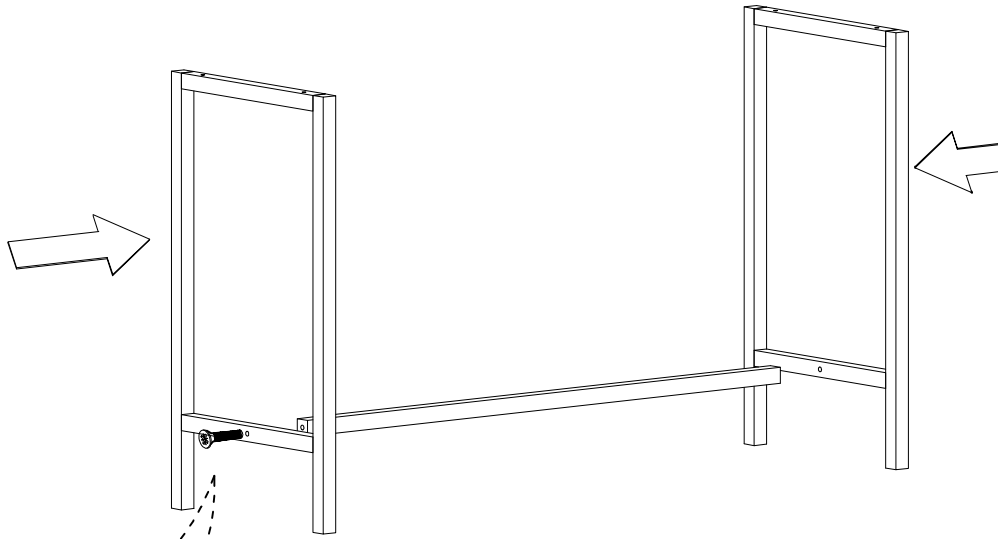


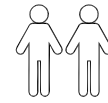
DEC20001 PACO

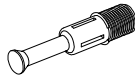








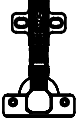
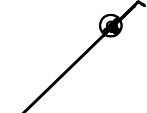
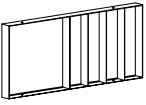


DECORMET



## MATERIALS



					
X 12	X 12	X 12	X 12	X 16	X 6
A	B	C	D	G	N
MINIFIX GIB	MINIFIX BODY	MIN.STOPPER	DOWEL	3,5 x 18 SCREW	METRIC SCREW
					
X 3	X 1	X 3	X 2	X 1	X 1
O	P	R	U	AF	BF
HANDLE SCREW	ALLEN KEY	HANDLE	HINGE(Crank 16)	BAR SCISSORS	SEPARATOR

## DEC20001 PACO

NO	NAME	PIECE	NO	İSİM	MİKTAR
1	BOTTOM PART		1	ALT TABLA	1 ADET
2	LEFT PART		2	SOL YAN	1 ADET
3	MIDDLE PART		3	ORTA DİKME	1 ADET
4	RIGHT PART		4	SAĞ YAN	1 ADET
5	BACK PART		5	ARKALIK	1 ADET
6	TOP PART		6	ÜST TABLA	1 ADET
7	METAL PART		7	METAL SEPERATÖR	1 ADET
8	COVER PART		8	KAPAK	1 ADET

